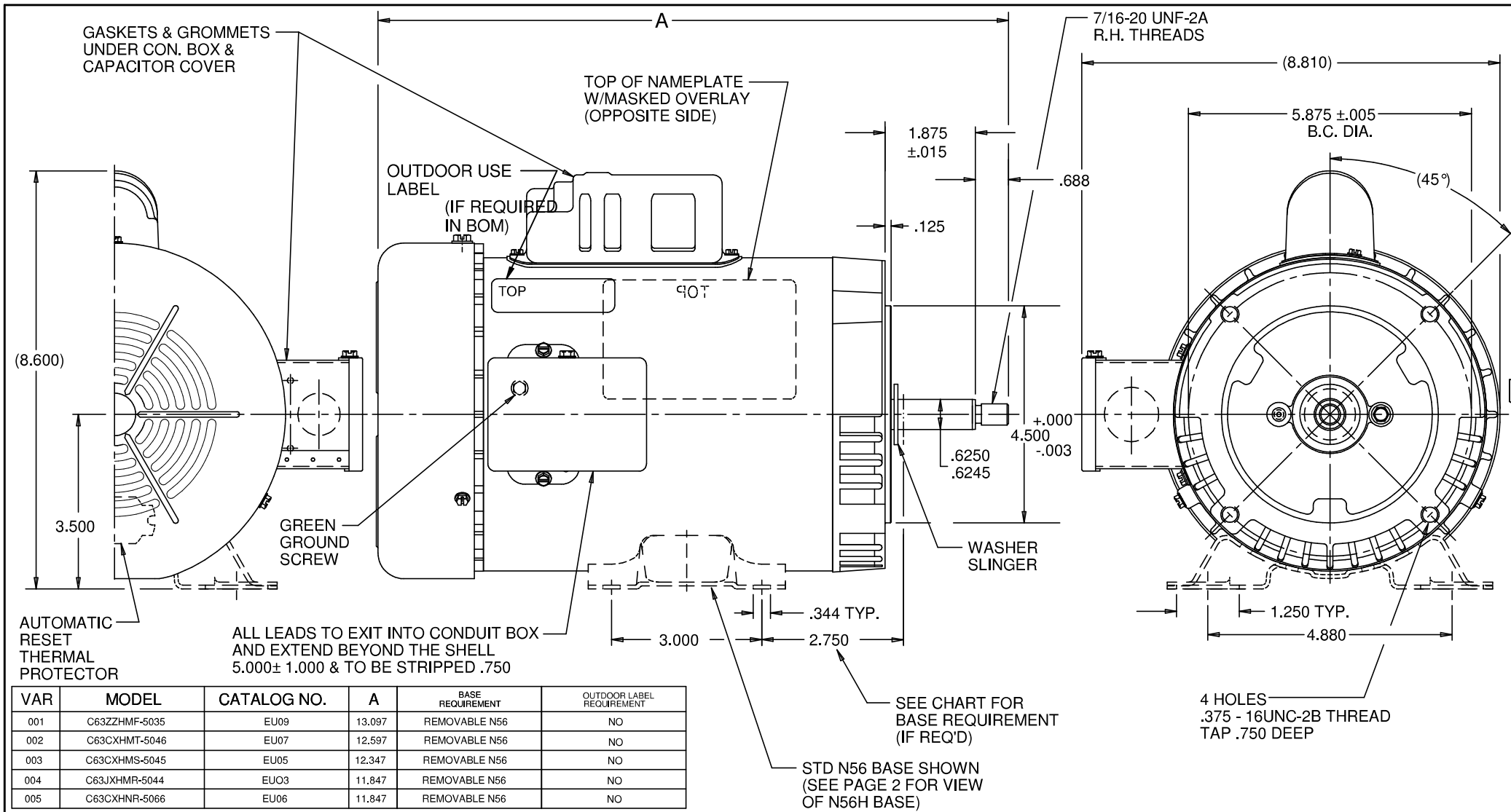




Catalog #: EU07

Model Number:	C063HMT5046013J
PRODUCT NAME:	1 HP - TEFC - 3450
PHASETYPE:	1_CAPACITOR START
MOTOR ENCLOSURE:	TEFC
HORSEPOWER:	1
KILOWATTS:	0.8
POLES:	2
NUMBER SPEEDS:	1
RPM:	3450
RPM 2:	2850
HERTZ:	60
HERTZ 2:	50
VOLTS PRIMARY:	115/208-230 & 110/220 V
VOLTS :	115
VOLTS 2:	208
VOLTS 3:	230
VOLTS 4:	110
VOLTS 5:	220
FRME :	56
SHAFT CODE:	J
STATOR DIAMETER:	6.3
STACK:	2.625
MOUNTING:	J-FACE/REM BASE
MOTOR TYPE:	FHP
OPPOSITE END BEARING:	6203
SHAFT END BEARING:	6203
AMBIENT:	40
ROTATION:	CW LEAD END
STARTCAPMFD:	297
SHIPPING WEIGHT:	33
THERMAL PROTECTION:	AUTOMATIC RESET
BREAKDOWN TORQUE:	75.39
BREAKDOWN TORQUE UOM:	OZFT
LOCKED ROTOR TORQUE:	45.42
LOCKED ROTOR TORQUE UOM:	OZFT
INSULATION CLASS:	B
KVA CODE LETTER:	K
LOCKED ROTOR AMPS:	64.8
FULL LOAD AMPS PRIMARY:	12.8/6.6-6.4
SERVICE FACTOR AMPS PRIMARY:	13.8/7.2-6.9



ALL LEADS TO EXIT INTO CONDUIT BOX AND EXTEND BEYOND THE SHELL 5.000± 1.000 & TO BE STRIPPED .750

VAR	MODEL	CATALOG NO.	A	BASE REQUIREMENT	OUTDOOR LABEL REQUIREMENT
001	C63ZZHMF-5035	EU09	13.097	REMOVABLE N56	NO
002	C63CXHMT-5046	EU07	12.597	REMOVABLE N56	NO
003	C63CXHMS-5045	EU05	12.347	REMOVABLE N56	NO
004	C63JXHMR-5044	EU03	11.847	REMOVABLE N56	NO
005	C63CXHNR-5066	EU06	11.847	REMOVABLE N56	NO

SEE CHART FOR BASE REQUIREMENT (IF REQ'D)

STD N56 BASE SHOWN (SEE PAGE 2 FOR VIEW OF N56H BASE)

SHEET NUMBER		REV		REVISION RECORD FOR: ECO E31424	
1 OF 2		F		CHANGED SCREW VIEW TO S05820750 (SCREW WITHOUT SLOT).	
REVISION DATE		10-JUL-18			
ISSUED BY	G. ISASSI	REVIEWED BY	J. SALINAS	ENGINEER APPROVED	R. GIL

INFORMATION DISCLOSED ON THIS DOCUMENT IS CONSIDERED PROPRIETARY AND SHALL NOT BE REPRODUCED OR DISCLOSED WITHOUT WRITTEN CONSENT OF NIDEC MOTOR CORPORATION

NIDEC MOTOR CORPORATION

ALL DIMENSIONS ARE FOR REFERENCE ONLY UNLESS TOLERANCE IS GIVEN

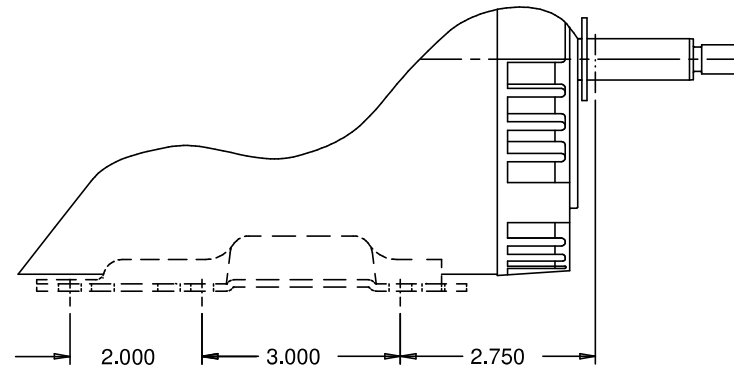
NIDEC MOTOR CORPORATION 06-Jul-18

TITLE
ASSEMBLED VIEW

CODE
V01

ITEM NO.
745733

VAR	MODEL	CATALOG NO.	A	BASE REQUIREMENT	OUTDOOR LABEL REQUIREMENT
006	C63JXHNH-5057	EU02	11.097	REMOVABLE N56	NO
007	C63CXHNJ-5058	EU04	11.347	REMOVABLE N56	NO
008	C63ZZHNK-5059	EU08	12.847	REMOVABLE N56	NO
009	C63JXIMP-5043	EU01	11.047	REMOVABLE N56	YES



PARTIAL VIEW
SHOWING N56H BASE

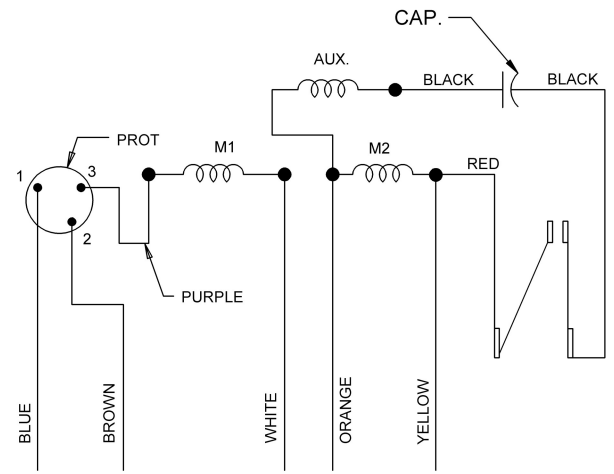
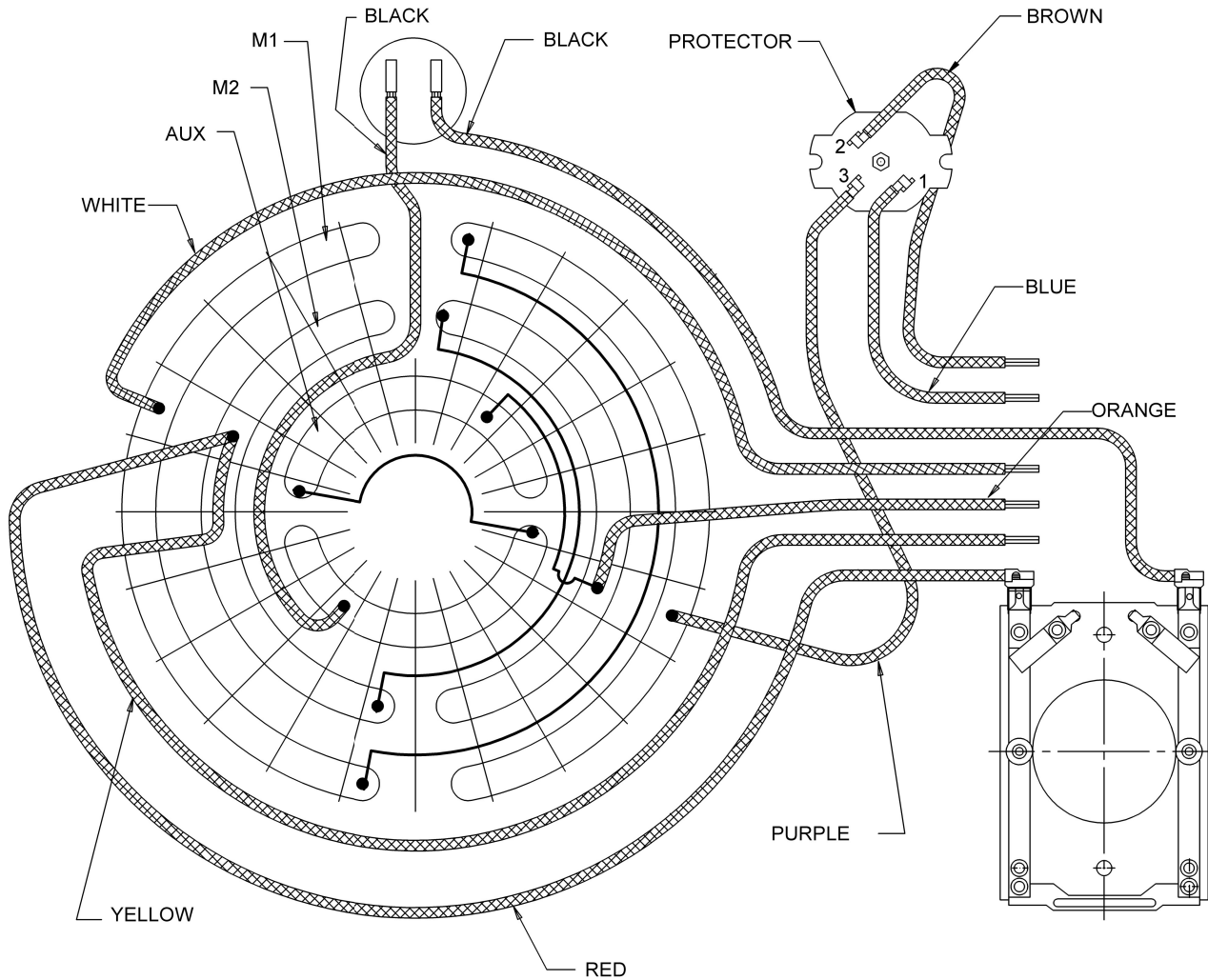
SHEET NUMBER	REV	REVISION RECORD FOR: ECO E31424		
2 OF 2	F	CHANGED SCREW VIEW TO S05820750 (SCREW WITHOUT SLOT), IN PAGE #1.		
REVISION DATE				
10-JUL-18				
ISSUED BY	G. ISASSI	REVIEWED BY	J. SALINAS	ENGINEER APPROVED
				R. GIL

INFORMATION DISCLOSED ON THIS DOCUMENT IS CONSIDERED PROPRIETARY AND SHALL NOT BE REPRODUCED OR DISCLOSED WITHOUT WRITTEN CONSENT OF NIDEC MOTOR CORPORATION

NIDEC MOTOR CORPORATION

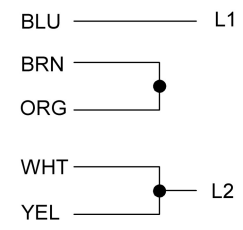
ALL DIMENSIONS ARE FOR REFERENCE ONLY UNLESS TOLERANCE IS GIVEN

TITLE	CODE	ITEM NO.
ASSEMBLED VIEW	V01	745733

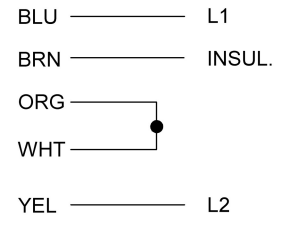


CONNECTIONS

LOW VOLTAGE



HIGH VOLTAGE



C 2P DUAL VOLT NON-REVERSIBLE W/CAP & PROT



NOTE:
 SECURE ALL LEADS AT 3:00 OCLOCK
 LOCATION TO PREVENT INTERFERENCE
 WITH MOVING PARTS.

ROTATION:
 CW SWITCH END.

NIDEC CONFIDENTIAL
 NIDEC MOTOR CORPORATION 07-Oct-13

REFER TO SEIM 24-1

REVISION DESCRIPTION FOR: C8396-07		SCALE	UNITS	TITLE		NIDEC MOTOR CORPORATION
CHANGED FROM MICROSTATION TO SOLIDEDGE		NONE	INCHES	DIAGRAM OF CONNECTIONS		
MATERIAL:		TOLERANCES ON DIMENSIONS (UNLESS OTHERWISE SPECIFIED)		ISSUED BY	APPROVED BY	REVISION DATE
		INCHES	mm	A. SANCHEZ	J.I. SALAZAR	04-OCT-13
		± .015		CODE	DWG NO.	REV SHEET NUMBER DWG SIZE
		ANGLES ±		D04	745969	A 1 OF 1 B

Special Application Commercial Pump Single Phase Totally Enclosed Fan Cooled (TEFC) C-Face



APPLICATIONS:

For use on chiller, condensate, and other HVAC duty pumps, booster and irrigation pumps, dishwasher and part washer pumps, watering and de-watering pumps, and other commercial duty pumping applications.

FEATURES:

- Double Sealed Ball Bearings
- Class B Insulation, Continuous Duty, 40°C Ambient
- Shaft Threads for 56J Mount: 7/16-20 UNC-2A
- 50/60 Hertz Motors have 1.0 Service Factor on 50 Hertz
- F1 Assembly
- Reversible Rotation
- Capacitor Start, Induction Run

HP	RPM	Voltage	Frame	Catalog Number	List	Discount Symbol	Base (Feet)	SF	"C" Dim. (inches)	Ship Wt. (lbs)	NEMA Nom. Eff	Max Amps	Notes	
1/4	1800	115/208-230	56C	T14C2JC	\$390	DS-3F	Rigid	1.15	11.1	22	58.9	6.6/3.0-3.3	25	
	1800	115/208-230	56C	T14C2JCR	\$330	DS-3F	No	1.15	11.0	22	58.9	6.6/3.0-3.3	25	
1/3	3600	115/208-230 & 110/220	56J	EU01	\$341	DS-3FMP	Removable	1.15	11.9	23	72.5	7.0/3.5-3.5	24,98	
	3600	115/208-230 & 110/220	56C	EC01B	\$334	DS-3FMP	Rigid	1.15	11.4	23	71.9	7.0/3.5-3.5	98	
	3600	115/208-230 & 110/220	56C	EC01	\$332	DS-3FMP	No	1.15	11.4	22	72.5	7.0/3.5-3.5	24,98	
	1800	115/230	42CZ	T13C2P4ZCR	\$394	DS-3FMP	No	1.00	11.6	21	62.3	6.2/3.1	25	
	1800	115/208-230	56J	EU02	\$349	DS-3FMP	Removable	1.15	11.1	24	61.4	7.2/3.4-3.6		
	1800	115/208-230	56C	T13C2JC	\$380	DS-3F	Rigid	1.15	11.0	19	-	7.2/3.3-3.6	25	
	1800	115/208-230	56C	T13CA2JCR	\$380	DS-3FMP	No	1.15	11.0	22	-	7.2/3.3-3.6	24	
	1800	115/208-230	56C	T13C2JCR	\$380	DS-3F	No	1.15	11.0	22	-	7.2/3.3-3.6	25	
1/2	3600	115/208-230	56C	T12CA1JCR	\$358	DS-3FMP	No	1.15	12.0	18	72.9	8.5/4.2-4.3	24	
	3600	115/208-230 & 110/220	56J	EU03	\$368	DS-3FMP	Removable	1.15	11.9	27	74.8	8.4/4.3-4.2	24,98	
	3600	115/208-230 & 110/220	56C	EC03B	\$363	DS-3FMP	Rigid	1.15	11.0	28	74.8	8.4/4.3-4.2	24,98	
	3600	115/208-230 & 110/220	56C	EC03	\$358	DS-3FMP	No	1.15	11.4	23	74.8	8.4/4.3-4.2	24,98	
	1800	100-120 & 200-240	56C	6212	\$565	DS-3FMP	Rigid	1.25	12.0	25	77.1	7.7-6.7/3.8-3.3	18,24,98	
	1800	100-120 & 200-240	56C	T12C2ZCR	\$592	DS-3FMP	No	1.25	12.0	25	77.1	7.7-6.7/3.8-3.3	18,25,98	
	1800	115/208-230	56J	EU04	\$498	DS-3FMP	Removable	1.15	11.3	35	70.2	8.8/4.3-4.4	24,98	
	1800	115/208-230	56C	T12C2JC	\$482	DS-3FMP	Rigid	1.15	11.4	32	60.7	9.2/4.3-4.6	25	
	1800	115/208-230	56C	EC04	\$339	DS-CPMP	No	1.15	10.9	25	70.2	8.8/4.3-4.4		
	1800	115/208-230	56C	T12CA2JCR	\$496	DS-3FMP	No	1.15	11.4	32	60.7	9.2/4.3-4.6	24	
	1800	115/208-230	56C	T12CM2JCR	\$462	DS-3FMP	No	1.15	11.4	32	60.7	9.2/4.3-4.6	23	
	1800	115/208-230	56C	T12C2JCR	\$439	DS-3FMP	No	1.15	12.4	32	60.7	9.2/4.3-4.6	25	
	1200	115/208-230	56C	T12C3JCR	\$828	DS-3FMP	No	1.15	12.4	32	67.3	10.6/5.1-5.3	25	
	3/4	3600	115/208-230	56C	T34C1JC	\$417	DS-3FMP	Rigid	1.15	11.9	32	67.8	12.1/6.3-6.1	25
3600		115/208-230	56C	T34CA1JCR	\$451	DS-3FMP	No	1.15	11.9	32	67.8	12.1/6.3-6.1	24	
3600		115/208-230 & 110/220	56J	EU05	\$458	DS-3FMP	Removable	1.15	12.4	42	79.4	10.8/5.7-5.4	24,98	
3600		115/208-230 & 110/220	56C	EC06	\$448	DS-3FMP	No	1.15	11.9	26	79.4	10.8/5.7-5.4	24,98	
1800		100-120 & 200-240	56C	6214	\$691	DS-3FMP	Rigid	1.25	12.0	32	77.1	11.5-9.9/5.7-4.9	24	
1800		100-120 & 200-240	56C	T34C2ZCR	\$699	DS-3FMP	No	1.25	12.4	23	77.2	11.5-9.9/5.7-4.9	18,25,98	
1800		115/208-230	56C	T34C2JC	\$585	DS-3FMP	Rigid	1.15	11.9	32	69.0	11.8/5.7-5.9	25	
1800		115/208-230	56J	EU06	\$582	DS-3FMP	Rigid	1.25	12.4	30	77.0	9.9/5.1-4.9	24	
1800		115/208-230	56C	T34CA2JCR	\$582	DS-3FMP	No	1.15	11.9	32	69.0	11.8/5.7-5.9	24	
1800		115/208-230	56C	T34CM2JCR	\$551	DS-3FMP	No	1.15	11.9	32	69.0	11.8/5.7-5.9	23	
1800		115/208-230	56C	T34C2JCR	\$527	DS-3FMP	No	1.15	11.9	32	69.0	11.8/5.7-5.9	25	
1200		115/208-230	56C	T34C3JCR	\$932	DS-3FMP	No	1.15	13.4	28	70.0	11.4/5.4-5.7	18,25	
1		3600	115/208-230	56C	T1C1JC	\$489	DS-3FMP	Rigid	1.15	12.4	26	66.7	14.2/6.9-7.1	25
		3600	115/208-230	56C	T1CA1JCR	\$524	DS-3FMP	No	1.15	12.4	32	66.7	14.2/6.9-7.1	24
	3600	115/208-230 & 110/220	56J	EU07	\$511	DS-3FMP	Removable	1.15	12.6	33	80.2	13.8/7.2-6.9	24,98	
	3600	115/208-230 & 110/220	56C	EC09B	\$508	DS-3FMP	Rigid	1.15	12.1	29	80.6	13.8/7.2-6.9	24,98	
	3600	115/208-230 & 110/220	56C	EC09	\$351	DS-CPMP	No	1.15	12.1	28	80.6	13.8/7.2-6.9	98	
	1800	115/208-230	143TC	T1C2J14C	\$621	DS-3F	Rigid	1.15	12.4	32	70.0	14.6/6.9-7.3	25	
	1800	115/208-230	143TC	T1CA2J14CR	\$677	DS-3SP	No	1.15	12.4	32	70.0	14.6/6.9-7.3	24	
	1800	115/208-230	143TC	T1CM2J14CR	\$700	DS-3SP	No	1.15	12.4	32	70.0	14.6/6.9-7.3	23	
	1800	115/208-230	143TC	T1C2J14CR	\$638	DS-3SP	No	1.15	12.4	32	70.0	14.6/6.9-7.3	25	
	1800	100-120 & 200-240	56C	T1CA2ZC	\$730	DS-3FMP	Rigid	1.15	13.4	30	80.6	12.9-10.6/6.4-5.3		
	1800	100-120 & 200-240	56C	T1CM2ZC	\$760	DS-3FMP	Rigid	1.15	13.4	38	81.9	12.9-10.6/6.4-5.3		
	1800	115/208-230	56HC	T1C2JHC	\$621	DS-3FMP	Rigid	1.15	12.4	32	70.0	14.6/6.9-7.3	25	

Note 18 Incorporates Run Capacitor
 Note 23 Manual Reset Thermal Protector Overload
 Note 24 Automatic Reset Thermal Protector Overload

Note 25 Non-protected
 Note 98 50/60 Hertz Motor

BRAKEMOTORS
 GENERAL PURPOSE SINGLE PHASE
 HVAC
 WASHDOWN
 AGRICULTURE
 COMMERCIAL PUMP MOTORS
 CLOSE COUPLED PUMP MOTORS
 FIRE PUMP MOTORS
 POOL & SPA MOTORS
 RESIDENTIAL WATER PUMP
 ELEVATOR GATE & DOOR

Special Application Commercial Pump Single Phase Totally Enclosed Fan Cooled (TEFC) C-Face



(continued)

HP	RPM	Voltage	Frame	Catalog Number	List	Discount Symbol	Base (Feet)	SF	"C" Dim. (inches)	Ship Wt. (lbs)	NEMA Nom. Eff	Max Amps	Notes
1	1800	115/208-230	56C	T1CA2JCR	\$610	DS-3FMP	No	1.15	12.4	32	70.0	14.6/6.9-7.3	24
	1800	115/208-230	56C	T1CM2JCR	\$633	DS-3FMP	No	1.15	12.4	32	70.0	14.6/6.9-7.3	23
	1800	115/208-230	56C	T1C2JCR	\$571	DS-3FMP	No	1.15	12.4	32	70.0	14.6/6.9-7.3	25
	1800	208-230/115	56C	EC10B	\$623	DS-3FMP	Rigid	1.15	12.4	37	75.9	14.2/7.5-7.1	
	1200	115/208-230	56C	T1C3JCR	\$1,011	DS-3FMP	No	1.15	13.9	44	77.9	13.9/7.4-7.0	25
1 1/2	3600	115/208-230	143TC	T32C1J14CR	\$637	DS-3SP	No	1.15	12.9	32	78.5	16.8/8.1-8.5	25
	3600	115/208-230	56HC	T32C1JHC	\$603	DS-3FMP	Rigid	1.15	12.9	42	78.5	16.8/8.1-8.5	25
	3600	115/208-230	56C	T32CA1JCR	\$637	DS-3FMP	No	1.15	12.9	32	78.5	16.8/8.1-8.5	24
	3600	115/208-230 & 110/220	56C	EC11B	\$650	DS-3FMP	Rigid	1.15	12.6	36	83.2	18.4/10.3-9.2	24,98
	3600	115/208-230 & 110/220	56C	EC11	\$398	DS-CPMP	No	1.15	12.6	35	83.2	18.4/10.3-9.2	98
	3600	115/208-230 & 110/220	56J	EU09	\$655	DS-3FMP	No	1.15	13.1	40	83.2	18.4/10.3-9.2	24,98
	1800	115/208-230	145TC	T32C2J14C	\$731	DS-3F	Rigid	1.15	13.9	45	80.0	15.8/8.0-7.9	25
	1800	115/208-230	145TC	T32C2J14CR	\$723	DS-3SP	No	1.15	13.9	47	80.0	15.8/8.0-7.9	25
	1800	115/208-230	56C	EC12B	\$729	DS-3FMP	Rigid	1.15	12.4	38	81.8	15.8/8.7-7.9	18,24
	1800	115/208-230	56HC	T32C2JHC	\$736	DS-3FMP	Rigid	1.15	13.9	41	80.0	15.8/8.0-7.9	25
	1800	115/208-230	56C	EC12	\$447	DS-CPMP	No	1.15	12.4	37	81.9	15.8/8.7-7.9	18
	1800	115/208-230	56C	T32CA2JCR	\$689	DS-3FMP	No	1.15	13.9	31	80.0	15.8/8.0-7.9	24
	1800	115/208-230	56C	T32CM2JCR	\$712	DS-3FMP	No	1.15	13.9	31	80.0	15.8/8.0-7.9	23
	1800	115/208-230	56C	T32C2JCR	\$650	DS-3FMP	No	1.15	13.9	31	80.0	15.8/8.0-7.9	25
2	3600	115/208-230	145TC	T2C1J14C	\$778	DS-3FMP	Rigid	1.15	13.4	43	80.0	21.3/10.8-10.6	25
	3600	115/208-230	145C	T2C1J14CR	\$813	DS-3SP	No	1.15	12.9	34	80.0	21.3/10.8-10.6	25
	3600	208-230 & 220	56J	EU11	\$825	DS-3FMP	Removable	1.15	13.4	42	87.5	11.0-10.0	18,24,98
	3600	208-230 & 220	56C	EC13B	\$780	DS-3FMP	Rigid	1.15	12.9	38	87.5	11.0-10.0	18,24,98
	3600	208-230 & 220	56C	EC13	\$815	DS-3FMP	No	1.15	12.9	37	87.6	11.0-10.0	18,24,98
	1800	115/208-230	145TC	T2C2J14C	\$846	DS-3FMP	Rigid	1.15	13.9	46	81.5	20.6/10.3-10.3	18,25
	1800	115/208-230	145TC	T2CA2J14CR	\$1,008	DS-3SP	No	1.00	14.4	40	81.5	18.9/10.3-9.4	24
	1800	115/208-230	145TC	T2C2J14CR	\$969	DS-3SP	No	1.15	13.9	46	81.5	20.6/10.3-10.3	25
	1800	115/208-230	56HC	T2C2JHC	\$846	DS-3FMP	Rigid	1.15	13.9	43	81.5	20.6/10.3-10.3	18,25
	1800	115/208-230	56C	T2CA2JCR	\$778	DS-3FMP	No	1.00	14.4	31	81.5	18.9/10.3-9.4	24
	1800	115/208-230	56C	T2CM2JCR	\$801	DS-3FMP	No	1.00	13.9	31	81.5	18.9/10.3-9.4	23
1800	115/208-230	56C	T2C2JCR	\$739	DS-3FMP	No	1.15	13.9	31	81.5	20.6/10.3-10.3	25	
3	3600	208-230	56J	EU12	\$894	DS-3FMP	Removable	1.15	13.9	17	87.9	15.8-14.6	18,24
	3600	208-230	56C	EC16B	\$522	DS-CPMP	Rigid	1.15	13.4	39	87.9	15.8-14.6	18
5	3600	230	184TC	T5C1K18C	\$1,397	DS-3SP	Rigid	1.00	17.3	91	83.0	19.6	18,25

Note 18 Incorporates Run Capacitor
 Note 23 Manual Reset Thermal Protector Overload
 Note 24 Automatic Reset Thermal Protector Overload

Note 25 Non-protected
 Note 98 50/60 Hertz Motor